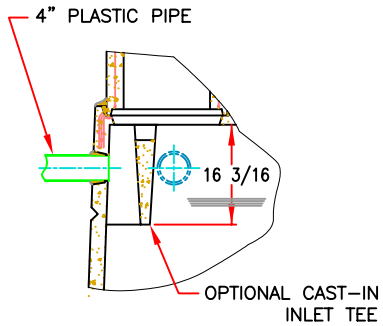
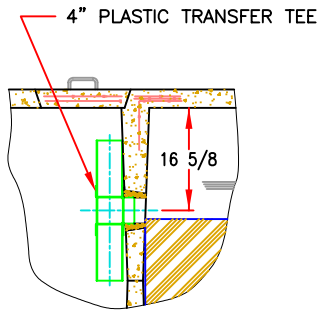


### DETAIL 1



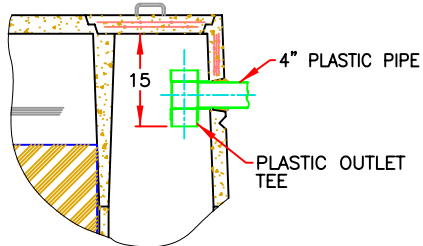
OPTIONAL INLET TEE

### DETAIL 2

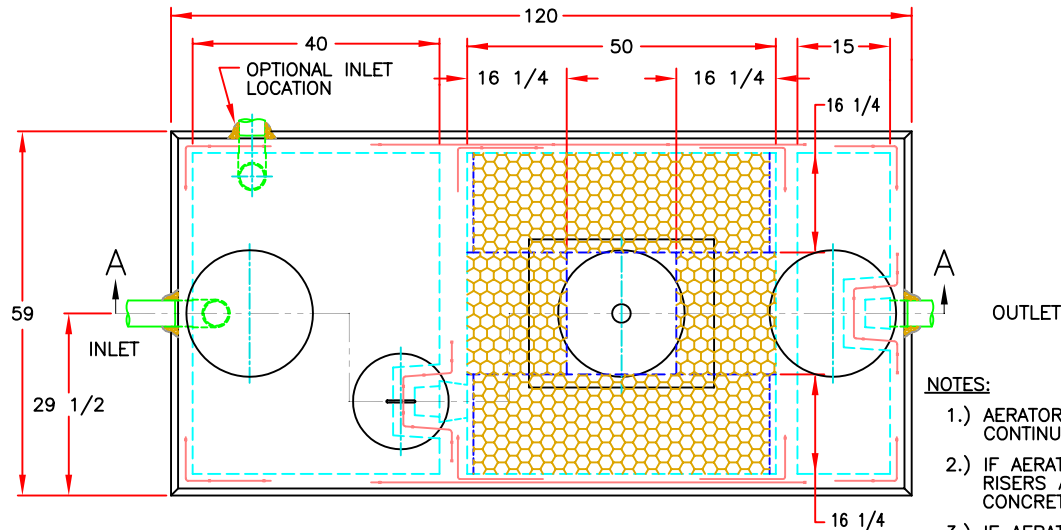


OPTIONAL TRANSFER TEE

### DETAIL 3

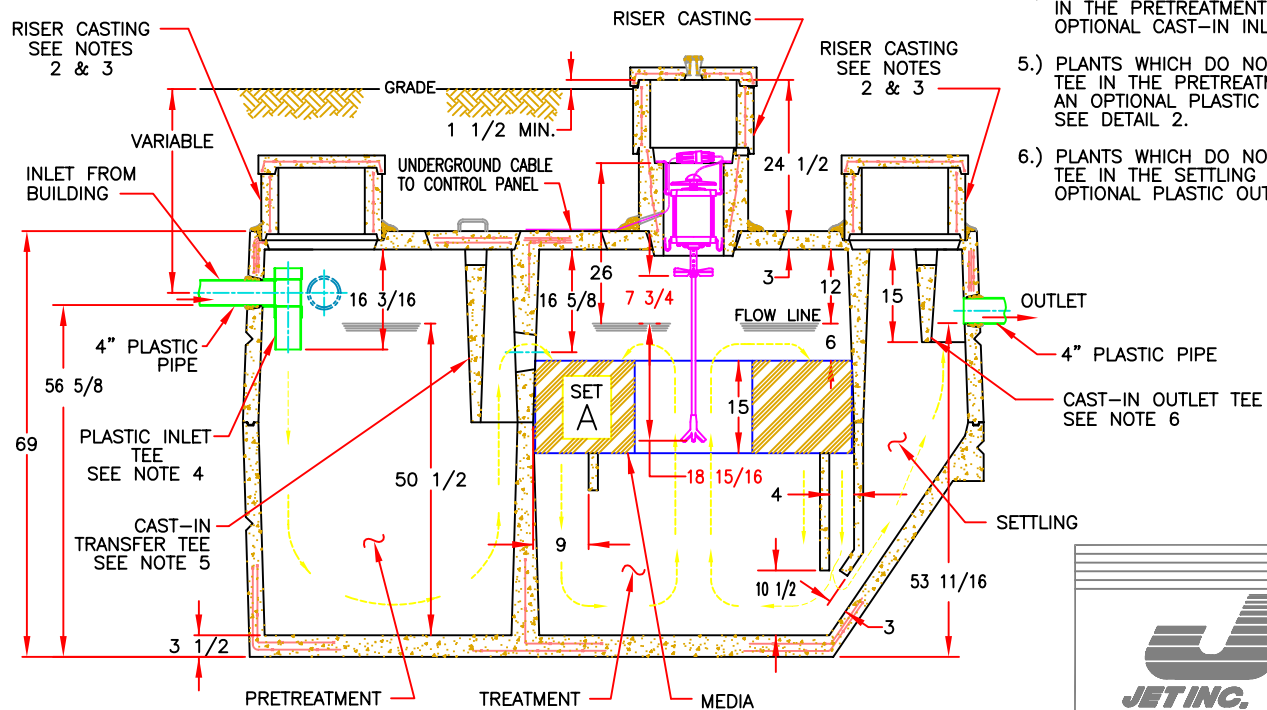


OPTIONAL OUTLET TEE




**NOTES:**

- 1.) AERATOR MODEL 700LL IN CYCLED OR CONTINUOUS OPERATION MUST BE USED.
- 2.) IF AERATOR MOUNTING CASTING HAS NO RISER, RISERS ARE NOT REQUIRED HERE. REMOVABLE CONCRETE COVERS ARE REQUIRED.
- 3.) IF AERATOR MOUNTING CASTING HAS A RISER(S), COVERED RISERS ARE REQUIRED HERE. RISERS SHOULD BE DEVELOPED TO GRADE OR TO 6"-12" BELOW GRADE.
- 4.) PLANTS WHICH DO NOT USE A PLASTIC INLET TEE IN THE PRETREATMENT COMPARTMENT MAY USE AN OPTIONAL CAST-IN INLET TEE. SEE DETAIL 1.
- 5.) PLANTS WHICH DO NOT HAVE A CAST-IN TRANSFER TEE IN THE PRETREATMENT COMPARTMENT MAY USE AN OPTIONAL PLASTIC TRANSFER TEE. SEE DETAIL 2.
- 6.) PLANTS WHICH DO NOT HAVE A CAST-IN OUTLET TEE IN THE SETTLING COMPARTMENT MAY USE AN OPTIONAL PLASTIC OUTLET TEE. SEE DETAIL 3.



### SECTION A-A

Figure 1  
NSF Test Plant (500 GPD)

 <b>JET INC.</b> 500 GPD PLANT COMPONENT PARTS & INSTALLATION	REVISED: 05-18-01f
	DRAWN BY: R. P. T.
APPROVED BY: D.S.M.	DATE: 1-18-95
©MMI JET INC. 12	SCALE: NONE
PROPRIETARY PROPERTY: THIS DRAWING IS THE PROPERTY OF JET INC. AND MAY NOT BE REPRODUCED, COPIED OR USED WITHOUT WRITTEN PERMISSION.	DRAWING NUMBER: J-500

PATENTED