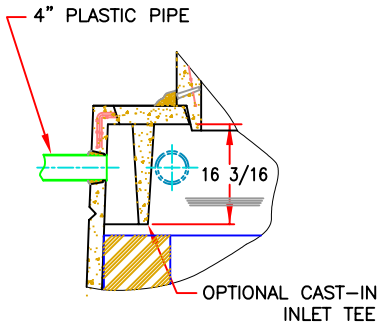
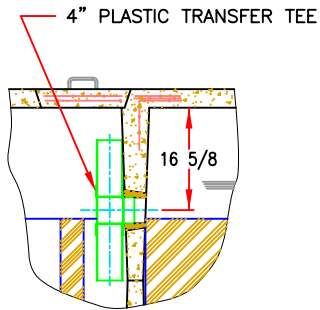


### DETAIL 1



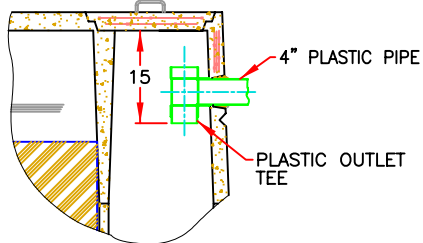
OPTIONAL INLET TEE

### DETAIL 2

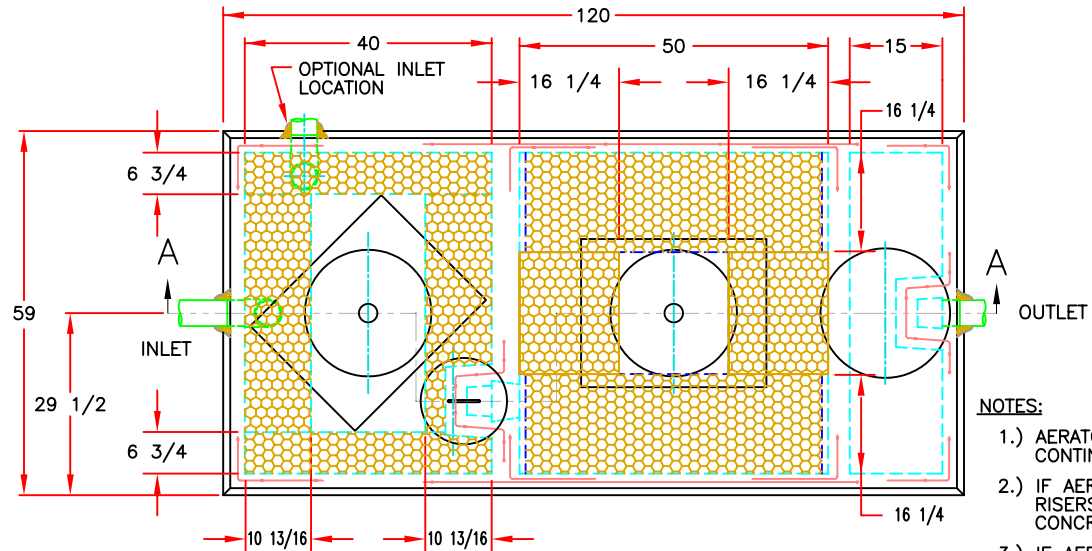


OPTIONAL TRANSFER TEE

### DETAIL 3

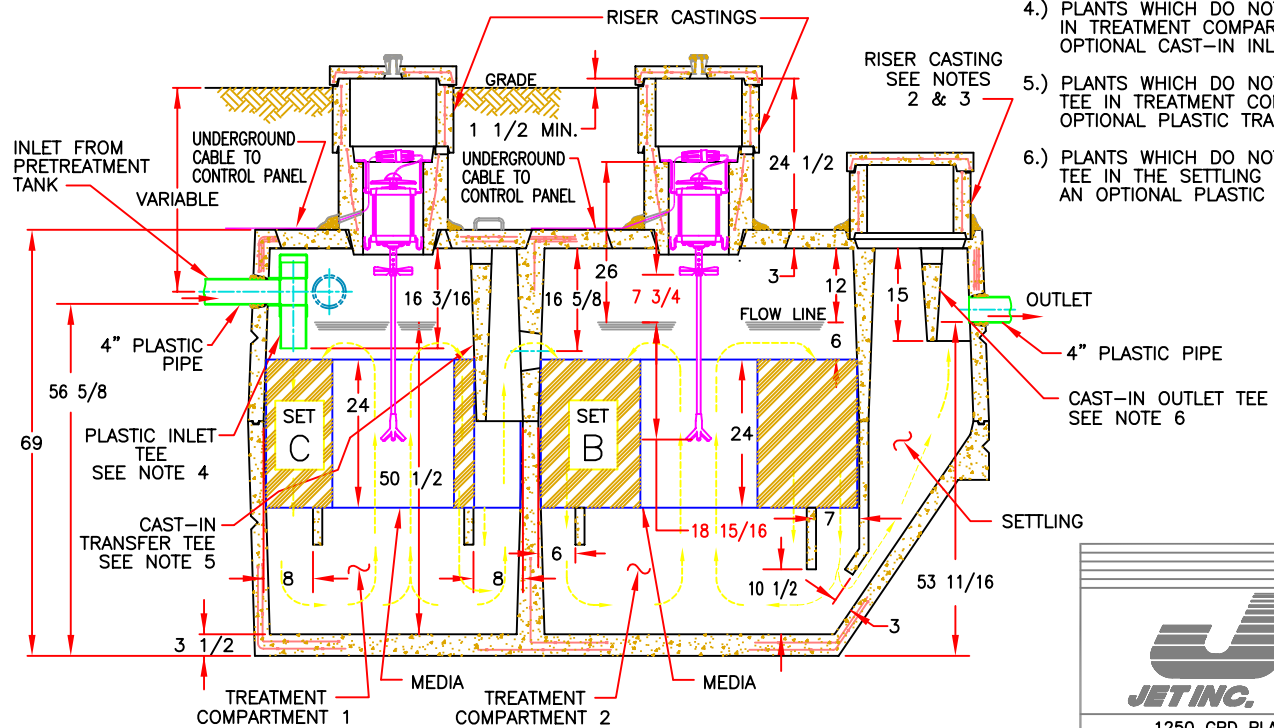


OPTIONAL OUTLET TEE




**NOTES:**

- 1.) AERATOR MODEL 700LL IN CYCLED OR CONTINUOUS OPERATION MUST BE USED.
- 2.) IF AERATOR MOUNTING CASTINGS HAVE NO RISERS, RISERS ARE NOT REQUIRED HERE. A REMOVABLE CONCRETE COVER IS REQUIRED.
- 3.) IF AERATOR MOUNTING CASTINGS HAVE RISERS, COVERED RISERS ARE REQUIRED HERE. RISERS SHOULD BE DEVELOPED TO GRADE OR TO 6"-12" BELOW GRADE.
- 4.) PLANTS WHICH DO NOT USE A PLASTIC INLET TEE IN TREATMENT COMPARTMENT 1 MAY USE AN OPTIONAL CAST-IN INLET TEE. SEE DETAIL 1.
- 5.) PLANTS WHICH DO NOT HAVE A CAST-IN TRANSFER TEE IN TREATMENT COMPARTMENT 1 MAY USE AN OPTIONAL PLASTIC TRANSFER TEE. SEE DETAIL 2.
- 6.) PLANTS WHICH DO NOT HAVE A CAST-IN OUTLET TEE IN THE SETTLING COMPARTMENT MAY USE AN OPTIONAL PLASTIC OUTLET TEE. SEE DETAIL 1.



### SECTION A-A

 <b>JET INC.</b> 1250 GPD PLANT COMPONENT PARTS & INSTALLATION	REVISED: 05-18-01f
	DRAWN BY: R. P. T.
APPROVED BY: D.S.M.	DATE: 3-15-94
©MMI JET INC.	SCALE: NONE
D 12	DRAWING NUMBER: J-1250

PATENTED

PROPRIETARY PROPERTY: THIS DRAWING IS THE PROPERTY OF JET INC. AND MAY NOT BE REPRODUCED, COPIED OR USED WITHOUT WRITTEN PERMISSION.